

Digital repeater (LED)

DR-109



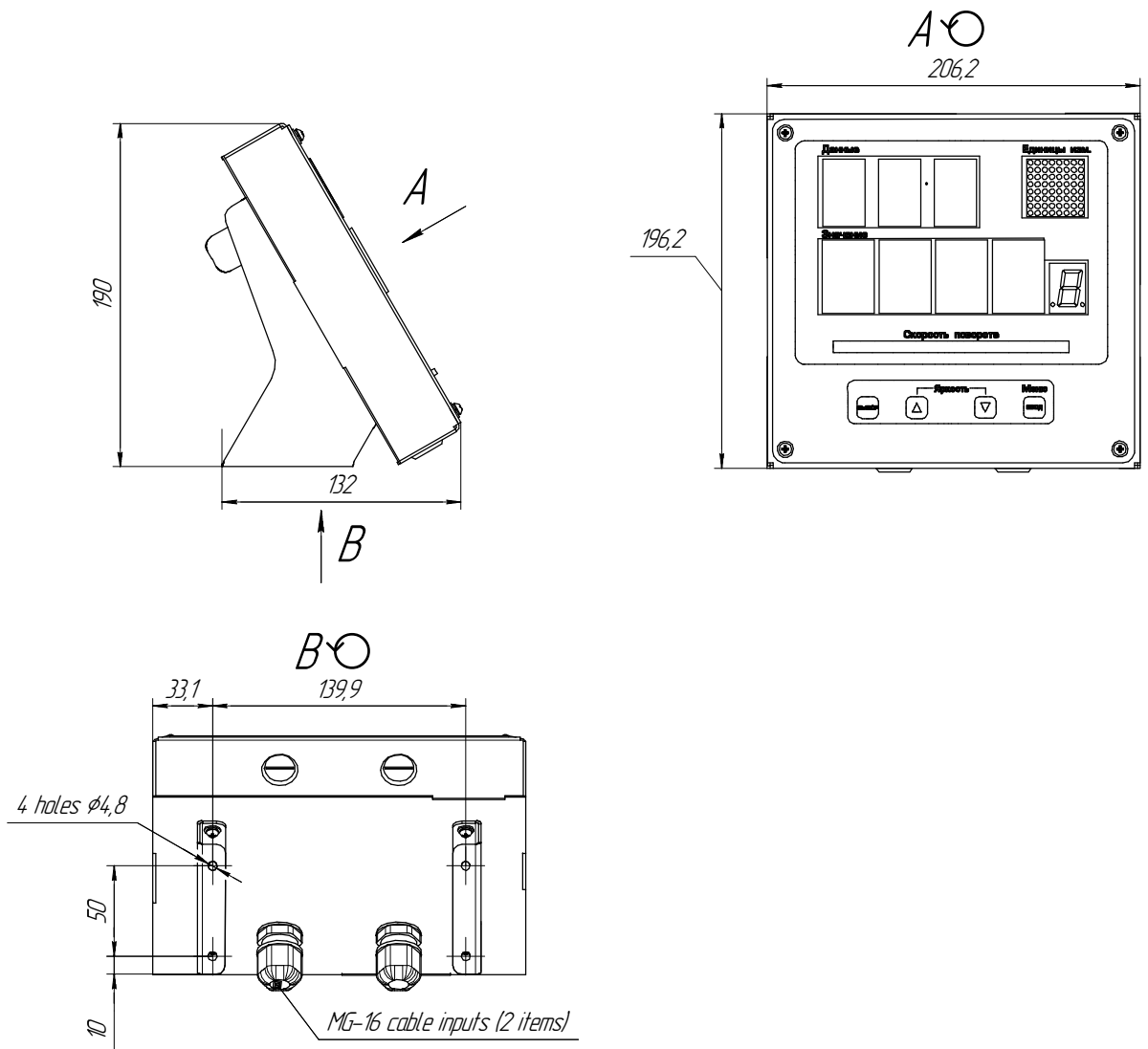
The DR-109 multipurpose digital repeater allows the visual indication of digital data received in NMEA 0183 sentences through RS-232 and RS-422/485 serial interfaces. The DR-109 provides sequential displaying of up to 3 data types on the built-in LED indicator (ship speed and heading, depth below keel, current time and weather conditions). The data of ship turn rate may be displayed regardless of main data on the built-in LED linear.

TECHNICAL CHARACTERISTICS

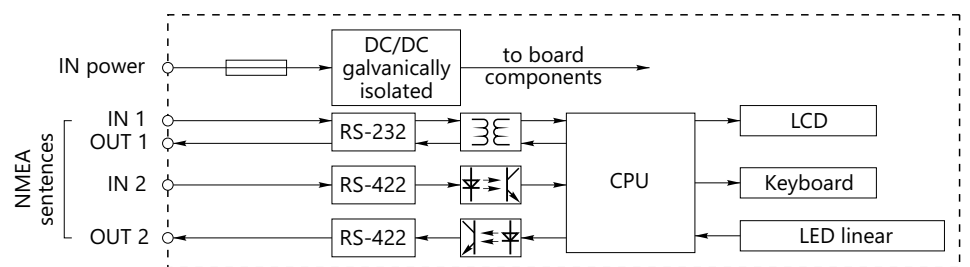
General characteristics	
IP rating	IP 22 (optionally IP 65)
Storage temperature	-60...+70°C
Operating temperature	-15...+55°C
Weight	2 kg

Characteristics of inputs	
Number of input ports	2
Supported interfaces	RS-232 and RS-422
Max receive rate	115200 bit/s

Electrical characteristics	
Power supply voltage	18...36 VDC
Max power consumption	10 W
Galvanic isolation from power mains	+
Reverse polarity protection	+



DR-109 dimensional drawing



DR-109 functional diagram