

Multipurpose digital repeater (LCD)

DR-209



The DR-209 multipurpose digital repeater displays NMEA-sentences data from various ship equipment on a monochrome LCD monitor in user-friendly format and rebroadcasts the received data by communication channels.

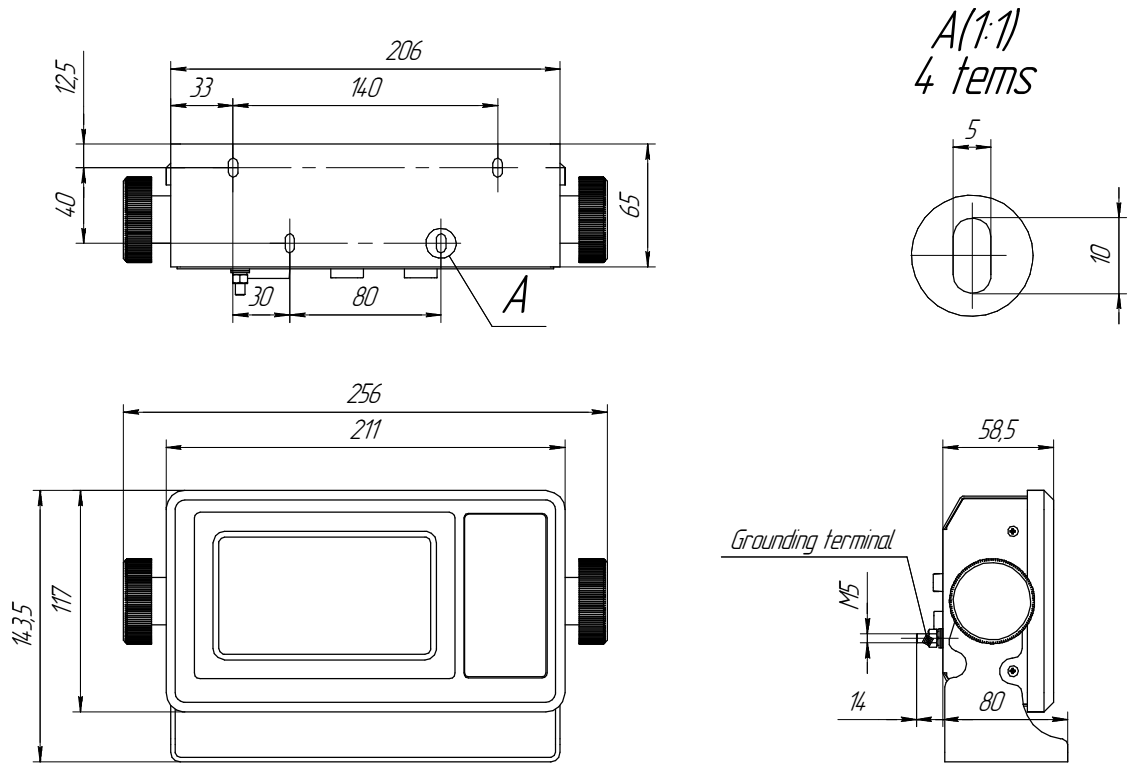
TECHNICAL CHARACTERISTICS

General characteristics	
IP rating	IP 22 (optionally IP 65)
Storage temperature	-60...+70°C
Operating temperature	-15...+55°C
Weight	2 kg

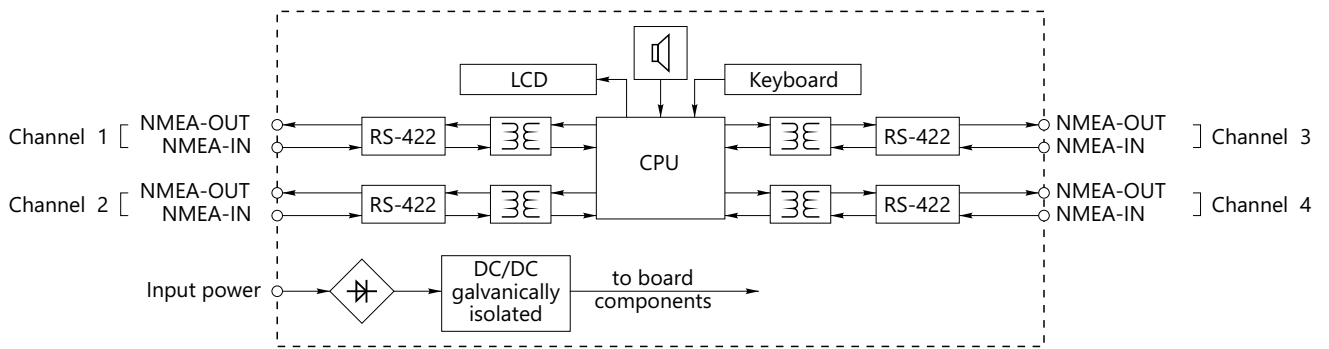
Electrical characteristics	
Power supply voltage	10...36 VDC
Power consumption	max 12 W
Galvanic isolation from power mains	+
Reverse polarity protection	+
Overtoltage protection	+

Characteristics of inputs	
Number of input ports	2
Supported interfaces	RS-422
Max receive rate	57600 bit/s
Galvanic isolation	+

Characteristics of outputs	
Number of output ports	4
Supported interfaces	RS-232, RS-422/485
Max baudrate	57600 bit/s
Galvanic isolation	+



DR-209 dimensional drawing



DR-209 functional diagram