

Power supply unit PS-103



The PS-103 power supply unit with a rated power of 192 W operates with 110 (optional) / 220 VAC and provides unregulated power of 24V for various shipboard and industrial equipment. The PS-103 has an input for a standby storage battery (24 VDC) with automatic switching in the event of a main power supply failure. A power loss actuates the closing of built-in dry relay contacts.

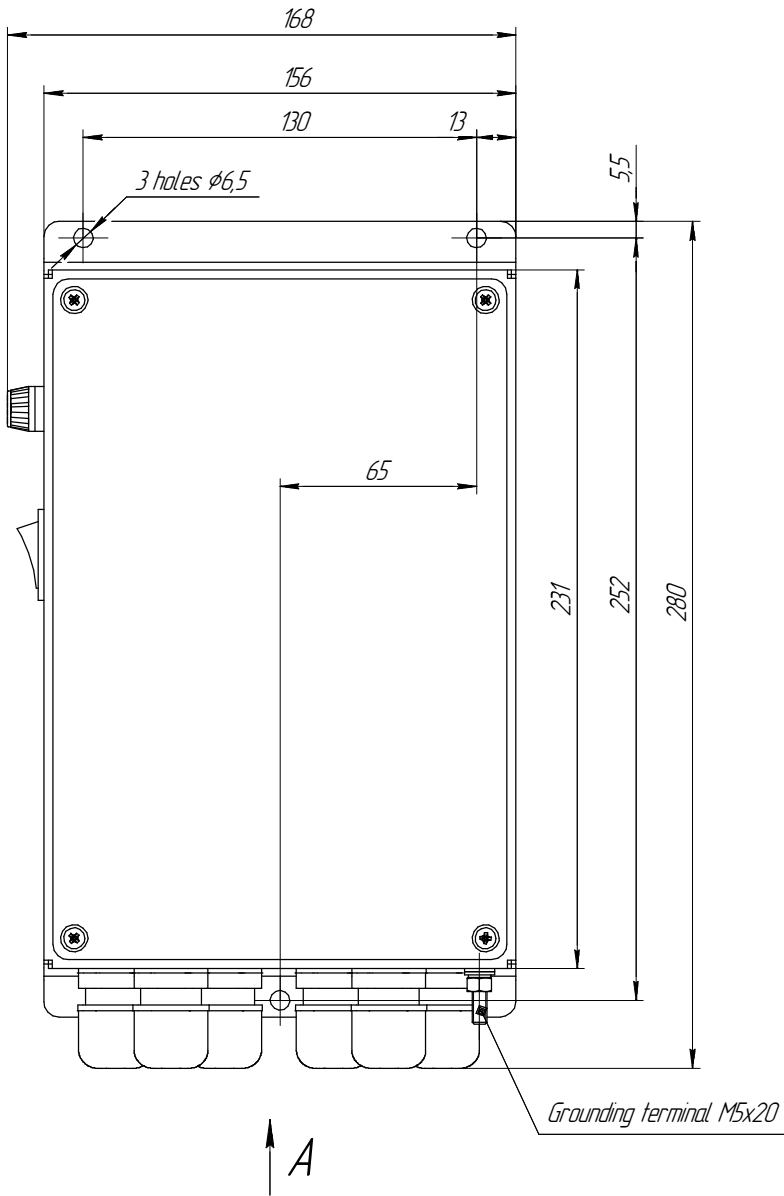
The unit is designed for installation in a dry environment (IP22). Galvanic isolation of power circuit, load, and current overload protection are provided.

TECHNICAL CHARACTERISTICS

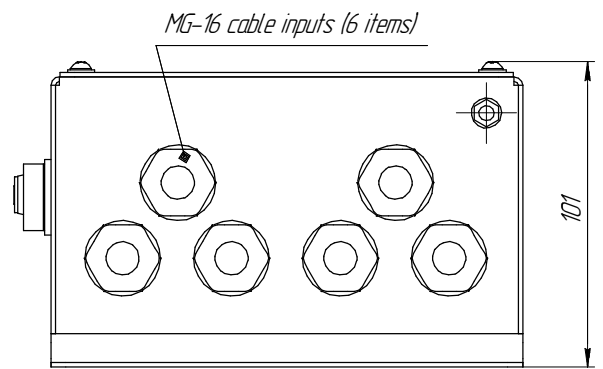
General characteristics	
IP rating	IP 22
Storage temperature	-60...+70 °C
Operating temperature	-15...+55 °C
Weight	4.6 kg
Current overload protection	+

Electrical characteristics	
Power supply voltage	110 V (optional)/ 220 V, 50-60 Hz
Output voltage	18...31 V DC
Rated power	190 W
Rated load current	10 A
Terminals for connected loads	3
Galvanic isolation from power mains (for main power)	+

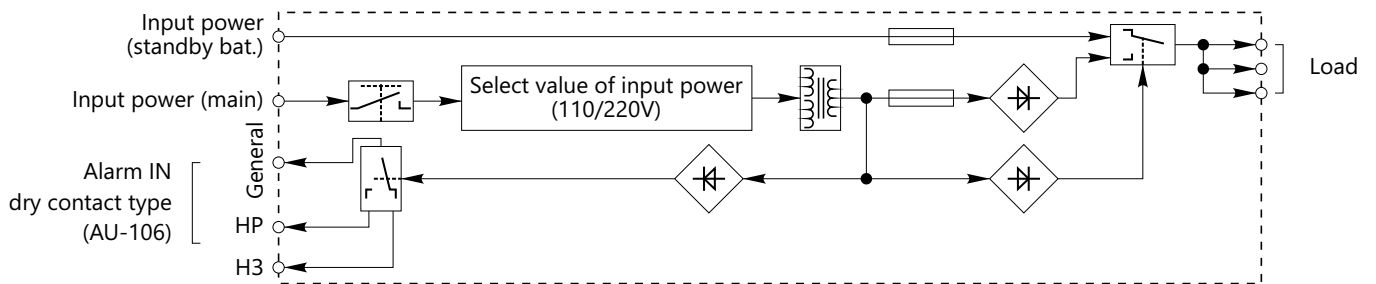
The AU-106 may be used as an Alarm unit (see p. 60).



A(1:2,5)



PS-103 dimensional drawing



PS-103 functional diagram